

# LoadMaxx Installation Guide



## Mack Camelback Suspensions

Welded Steer and Drive Brackets

**Air-Weigh Customer Support: 888-459-3247**

# Table of Contents

<b>About LoadMaxx for Camelback Suspensions.....</b>	<b>1</b>
<b>About Installation.....</b>	<b>1</b>
Overview.....	1
<b>Tools Required.....</b>	<b>2</b>
Optional Tools.....	2
<b>Installing the Steer Axle Sensor Bracket.....</b>	<b>3</b>
Preparing the Steer Axle Sensor Brackets.....	3
Welding the Bracket.....	6
Adding a Protective Spray Paint Coating.....	7
<b>Installing the Drive Axle Sensor Bracket.....</b>	<b>8</b>
Preparing the Camelback Suspension.....	8
Welding the Bracket.....	9
Adding a Protective Spray Paint Coating.....	10
<b>Routing Cables.....</b>	<b>11</b>
<b>Installing the ComLink and Display.....</b>	<b>12</b>
Preparing the Cab Display for Installation.....	12
Installing the Cab Display.....	12
Mounting the ComLink.....	13
<b>Connecting Cables.....</b>	<b>14</b>
Power and Ground Table.....	14
Securing Cables and Reassembling the Dash.....	14

<b>Installing and Adjusting the Steer Axle Sensor.....</b>	<b>15</b>
Installing the Deflection Sensor.....	15
<b>Installing and Adjusting the Drive Axle Sensor.....</b>	<b>17</b>
Setting A/D Values.....	18
Adjusting the A/D Reading.....	19
Final Sensor Torque.....	20
<b>Cover Installation.....</b>	<b>21</b>
<b>Sensor Configuration Chart.....</b>	<b>24</b>
<b>Limited Warranty.....</b>	<b>31</b>
<b>Procedure for Warranty Claims.....</b>	<b>32</b>

# About LoadMaxx for Camelback Suspensions

LoadMaxx is a weighing system for vehicles that works by using deflection sensors and/or air pressure sensors.

The sensors measure suspension flex or air pressure changes and converts that number into weight which is displayed in the truck cab. Weight information, which includes axle group weights as well as net and gross vehicle weights, are also displayed

The LoadMaxx scale for vehicles with Mack Camelback suspension includes a dash-mounted display, a ComLink™ module, mounting cables, a deflection sensor with mounting hardware for the steer axle, and a second deflection sensor with mounting hardware for the Camelback suspension.

Please see the Calibration and User Manual, included with your scale kit, to calibrate your scale after installation.

## About Installation

### Overview

There are three major components of the LoadMaxx scale that you will install, listed as follows.

- Electronics: dash-mounted display, ComLink module, power cables and sensor extension cables
- Deflection sensor for the steer axle suspension
- Deflection sensors for the Camelback drive axle suspension

# Tools Required

You will need the following tools to install deflection sensors on the steer and drive axles.

- Sander/grinder
- 40-grit medium sandpaper
- Chalk or permanent marker
- MIG or ARC welder
- For ARC welder: E7018 welding electrodes OR
- For MIG welder: E70S-3 or E71T-1 welding wire
- Two C clamps
- Flat-blade screwdriver
- Torque wrench, 120 ft-lb
- 22mm socket and 5/16-inch socket
- Enamel spray paint, any color
- Tape measure

## Optional Tools

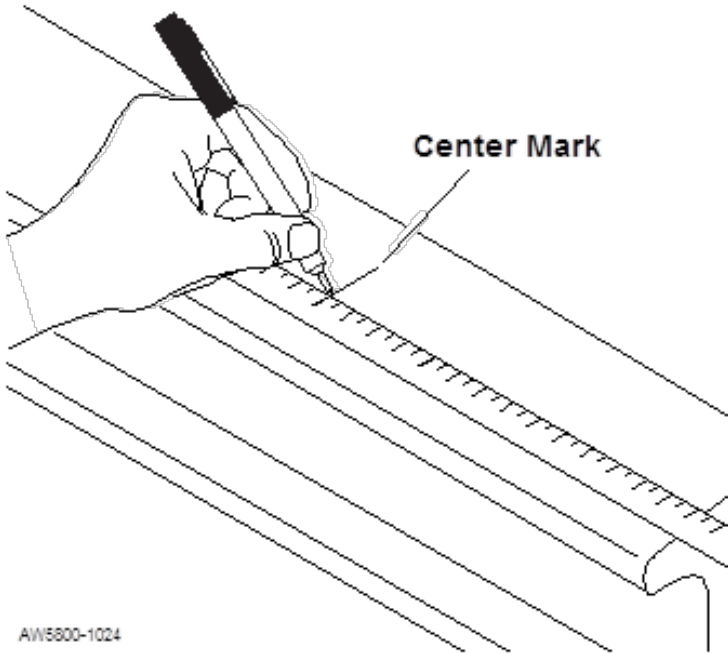
Deflection sensor test box (P/N 1001)



# Installing the Steer Axle Sensor Bracket

## Preparing the Steer Axle Sensor Brackets

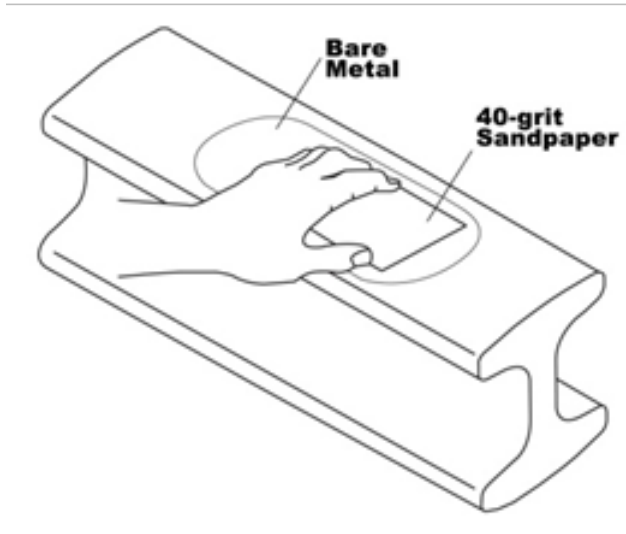
1. Locate and mark the center of the steer axle.



AW5800-1024

### Marking the Center of the Steer Axle

2. Using chalk or a permanent marker, mark the top of the steer axle 3" on either side of the center mark (6" in total). Clean this area. If the axle is heavily caked with dirt or grease, use Brakleen to remove the worst.
3. Using 40-grit medium sandpaper or a pneumatic grinder, sand the 6" area until nothing remains but bare metal. We recommend that you partially sand down the mold line as well.

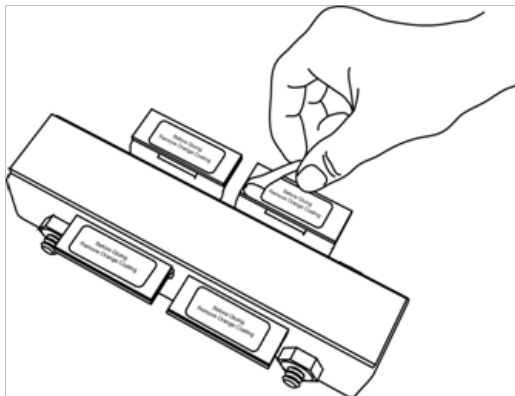


### **Sanding the Steer Axle**

4. Re-mark the center of the steer axle.
5. Verify that the bracket contact pads fit into the sanded area and that no axle paint is left under the pad. If there is any paint at all that will be touching the brackets, sand until it has been removed.
6. Once you have prepared the axle, place the bracket assembly onto the axle to ensure that it fits properly. All four bracket mounting pads should sit firmly on the axle without rocking in any direction. If the bracket rocks, sand or grind off any excess axle material until the bracket fits properly.

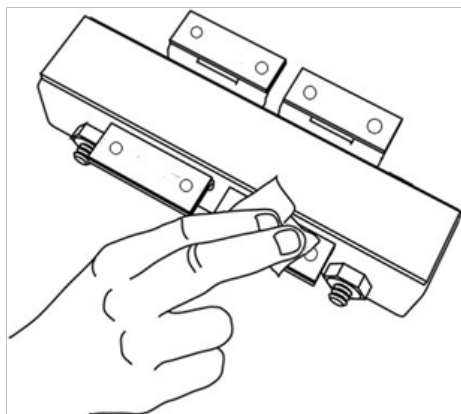
**NOTE: Make sure that the main body of the bracket does not touch the axle. Only the feet of the bracket should touch the axle.**

7. Remove the protective tape from around the bottom of the bracket assembly.



**Removing the Protective Plastic Strips**

8. Clean the underside of the bracket assembly with one of the supplied isopropyl alcohol pads.



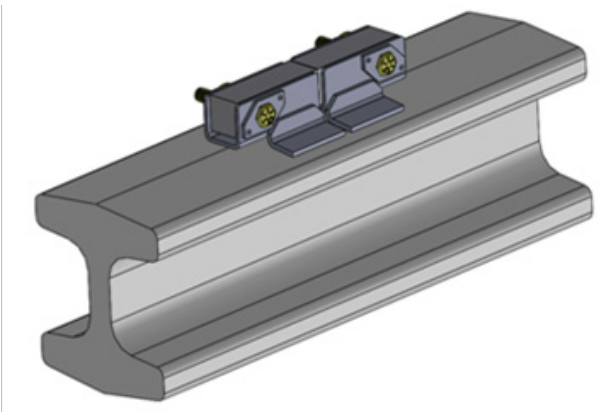
**Cleaning the Bottom of the Bracket Assembly**



# Welding the Bracket

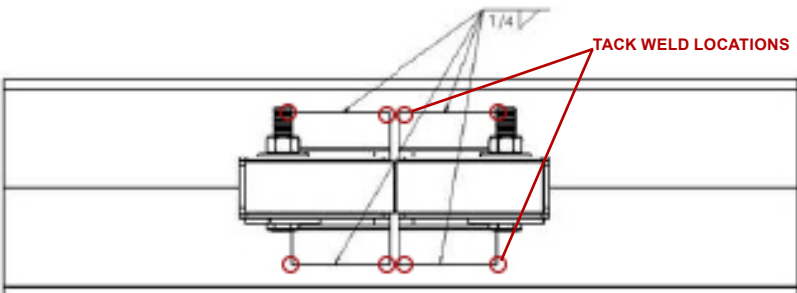
**Note:** Air-Weigh takes no responsibility for damage or failure of the steer axle due to improper welding.

1. Place the new bracket assembly at the center of the axle. Use C-clamps(NOT PICTURED) to hold the bracket in place. Make sure you leave the alignment tool in the bracket assembly while welding.



**Bracket Assembly Centered on Axle**

2. Tack weld all 8 corners of the base.
3. Fillet weld a full bead on the edges of each bracket piece.



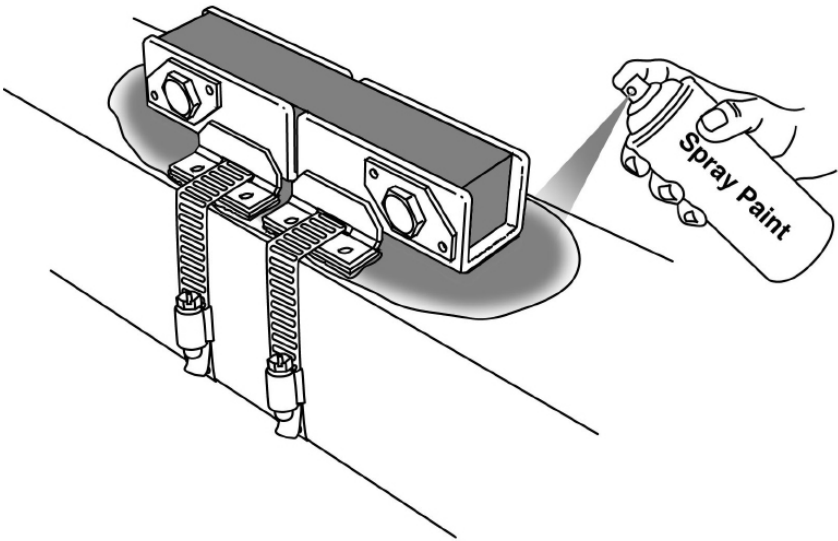
**Bracket Assembly Centered on Axle**

**Note:** Do not operate the vehicle while the alignment tool is still in place.

## Adding a Protective Spray Paint Coating

To prevent steer axle corrosion, we recommend you spray paint around the base of the bracket. **Do not paint until the glue has fully cured.**

1. Using any enamel-based spray paint, paint around the base of the bracket and over the welded section. Paint all bare metal around the bracket completely.
2. Once the paint is dry, we recommend that you paint all exposed metal a second time.

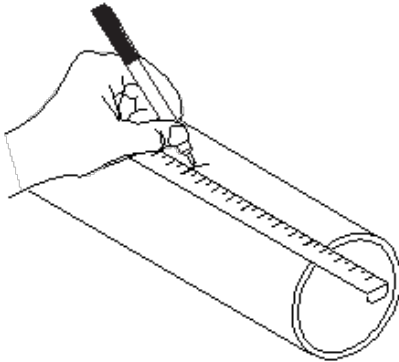


**Spray Paint Coating**

# Installing the Drive Axle Sensor Bracket

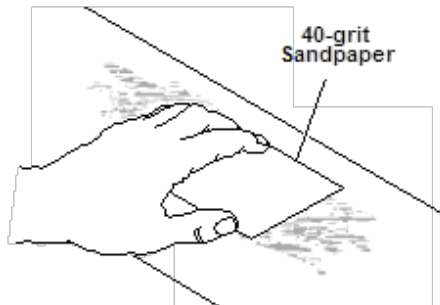
## Preparing the Camelback Suspension

1. Locate and mark the top center of the trunnion tube.



**Marking Center of Trunnion Tube**

2. Using chalk or permanent marker, mark the top of the trunnion tube 3-3/8 in. (85.725mm) on both sides of the center mark. The overall measurement is 6-3/4 in. (171.45 mm).
3. Using a grinder or 40-grit medium sandpaper, sand the marked off area until it is free of paint and other residues.

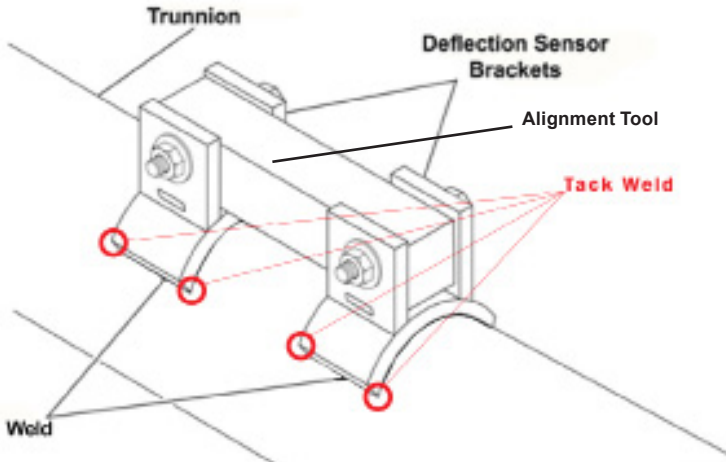


**Sanding the Trunnion Tube**

4. Clean the sanded area.
5. Re-mark the center of the trunnion tube.

# Welding the Bracket

1. Place the mounting bracket assembly on the top center of the trunnion tube. Mark the center on the alignment tool and ensure it lines up with the center mark on the trunnion tube.
2. Use C clamps to hold the bracket in place. Make sure you leave the alignment tool in the bracket assembly while welding.

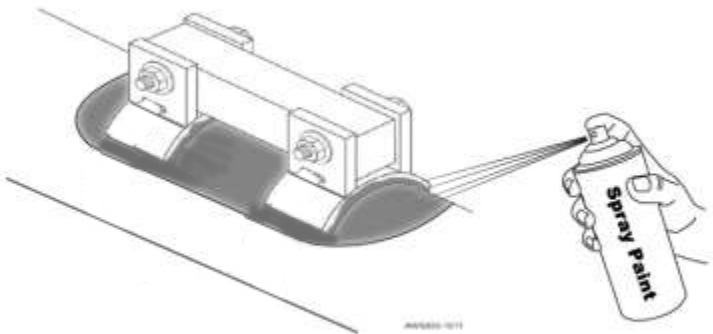


**Placing the Brackets on the Trunnion Tube**

3. Tack weld all 8 corners of the base of the bracket.
4. Fillet weld a full bead on the edges of each bracket piece.
5. Allow the weld and the bracket to completely cool.

## Adding a Protective Spray Paint Coating

1. To prevent the drive axle brackets from delaminating due to corrosion, we recommend you spray paint around the base of the brackets.
2. Using any enamel-based spray paint, paint around the base of the bracket. Paint all bare metal around the bracket completely.
3. Once the paint is dry, we recommend that you paint all exposed metal a second time.



**Spray Painting the Bracket**

# Routing Cables

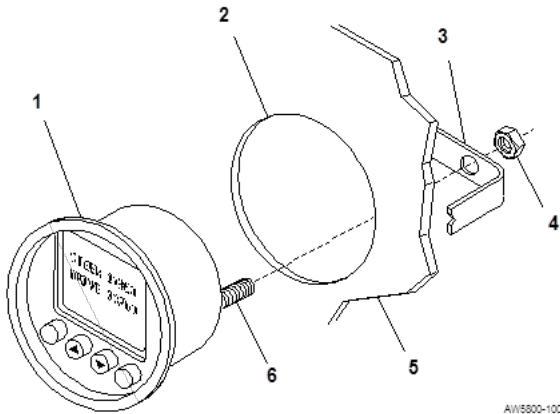
1. Route the 20' steer extension cable and the 40' drive extension cable along their respective axles and the frame, and then through the cab firewall. Leave enough length for sensor connections. If at all possible, route along an existing wire harness. Be careful to avoid routing along pieces of the frame that may move or cause wiring to rub.
2. Secure the cables loosely to the suspension using zip ties.

**NOTE: Keep all cables a minimum of 12" from exhaust piping or properly shield cables.**

# Installing the ComLink and Display

## Preparing the Cab Display for Installation

1. Select a location for the display (1) on the dash panel (5) with at least 3" of clearance behind the dash panel (5) for the unit and its connections. A higher dash position provides better visibility.
2. Using a hole saw, cut a 2-1/8" hole (2) in the dash where you will mount the display.
3. Remove the hex nuts (4) from the studs (6) on the back of the display (1) to release the mounting bracket (3).



Display Preparation and Installation

## Installing the Cab Display

1. Position the display (1) in the hole so that it appears level on the dash.
2. Reinstall the mounting bracket (3) on the back of the display (1) and secure with two nuts (4) on the display studs (6). Tighten the nuts (4) and secure the display (1) to the dash using 6 in-lbs. of torque. Do not over-tighten the mounting bracket nuts (4).

## Mounting the ComLink

1. Select a location behind the dash for the ComLink module, ensuring there is adequate access to the scale and the electrical connections.
2. The ComLink module should be oriented with the connectors facing downward and installed by either one of the following methods, using the hardware provided:

Use zip ties through the holes in the ComLink module mounting ears to secure it to any appropriate wire harness behind the dash.

**-OR -**

Find a flat location where the ComLink module can be attached using the 2-sided adhesive tape already in position on the back of the ComLink module. Remove all dust, grease or debris from the flat location using the supplied alcohol pad. Remove one or both of the red strips from the back of the ComLink module, exposing the adhesive tape. Place the ComLink module against the cleaned flat area and push hard enough to ensure adhesion. For best results, push the ComLink module into place using **15 ft lbs of pressure**, being careful not to crack the case. Using this method will make the ComLink module more difficult to remove.

**NOTE: If you are using the optional printer, please see the document Printer Installation Instructions for information on connecting the printer to the ComLink.**



## Connecting Cables

The provided cables are used to connect the ComLink to the vehicle's electrical system, to the dash display unit, and, if desired, to an alarm output.

Power and Ground Table	
White Wire	Vehicle Chassis Ground
Blue/Black Wire with In-Line Fuse	12VDC or 24VDC Key Hot Power
Gray Wire/Brown Wire	Alarm output 1 and 2 (same voltage as vehicle power)
Black Wires	Alarm ground Return 1 and 2

1. Connect the white wire to chassis ground.
2. Connect blue/black wire with inline fuse to the positive (+) or "hot" side of the 12 VDC or 24 VDC key hot power source. DO NOT connect directly to battery.
3. Connect the 10-pin plug of the power interface cable to the ComLink module.
4. Connect both the 2-pin and the 4-pin plugs of the power interface cable to the display.
5. When using an alarm, connect the alarm output wire and the ground return wire to the desired device (buzzer, horn, light, etc.).

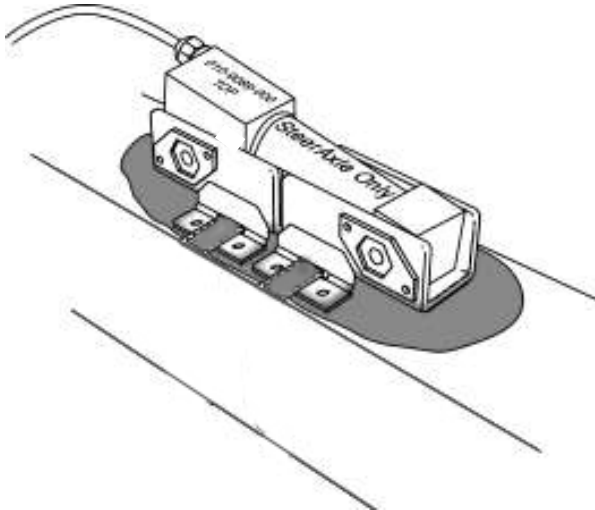
## Securing Cables and Reassembling the Dash

1. Connect the extension cable to the ComLink module in the dash. Drive cables should be connected to Port A and the steer cable should connect to Port B.
2. Coil and secure any excess wire using zip ties.
3. Tighten all zip ties and trim.
4. Reassemble the dash assembly after all sensors have been installed (next section) and sensor cables are connected. Ensure all connections are tight.

# Installing and Adjusting the Steer Axle Sensor

## Installing the Deflection Sensor

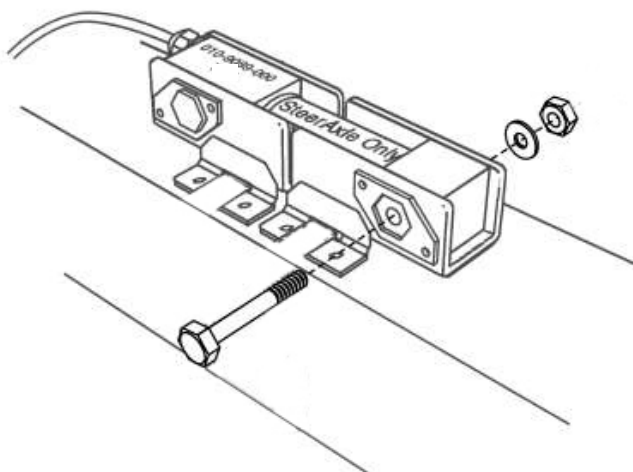
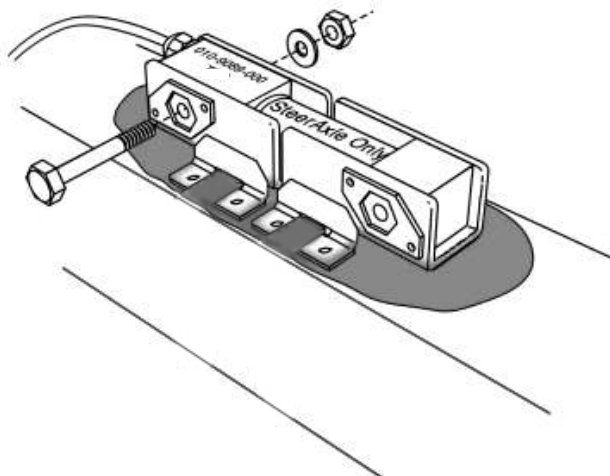
1. Remove the alignment tool from the brackets. Retain the nuts and bolts.
2. Insert the steer axle sensor with its cable extending toward the side of the vehicle where the sensor extension cable has been routed to the firewall. Make sure the engraved lettering faces up.



**Inserting the Sensor Into the Bracket**

3. Align the steer axle sensor with the holes in the steer axle bracket assembly.
4. Insert one bolt through the bracket hole on the sensor end with the engraved lettering on it so that the bolthead is secured in the manufactured bolthead holder. Place a washer and a nut at the end of the bolt and hand-tighten the nut.

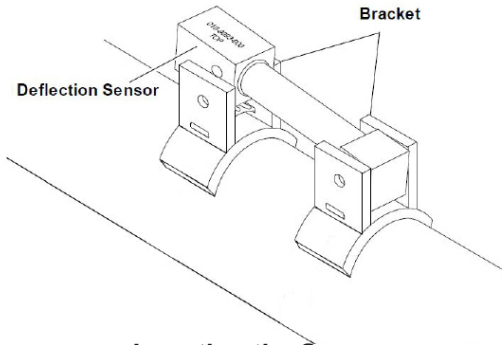
5. Insert the second bolt through the second bracket hole so that the bolthead is secured in the manufactured bolthead holder.. Hand-tighten the nut.



### Attaching the Sensor to the Bracket

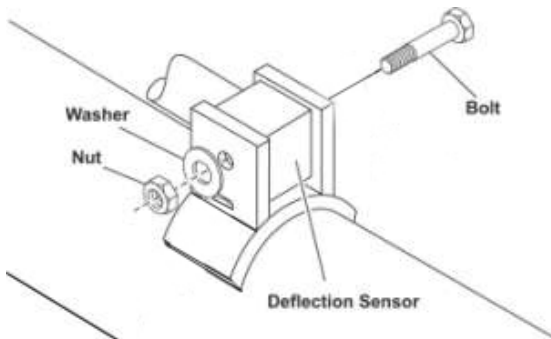
# Installing and Adjusting the Drive Axle Sensor

1. Remove the alignment tool from the brackets. Retain the nuts and bolts.
2. Insert the deflection sensor into the brackets with its cable extending toward the side of the vehicle where you'll route the sensor extension cable to the firewall. The engraved lettering on the sensor should face up.
3. Align the deflection sensor with the bracket holes.



**Inserting the Sensor**

4. Slide the bolts through the bracket holes so that the boltheads are secured in the manufactured bolthead holders.



**Inserting Bolt and Washers into Sensor and Bracket**

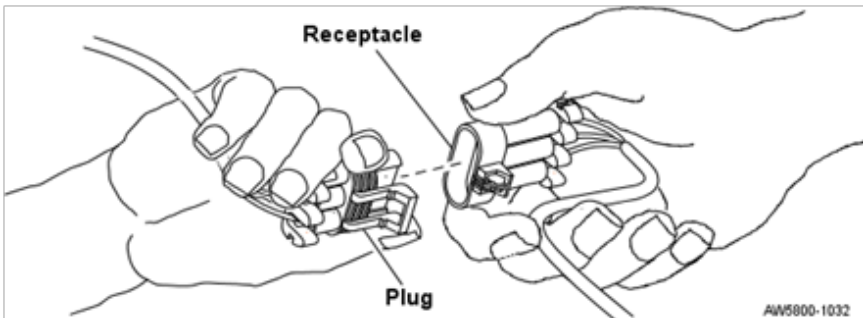
## Setting the A/D Values

At this point, you have installed all of the LoadMaxx system components. You will next adjust the steer and drive axle deflection sensors to read weight correctly by setting the A/D values. A/D refers to the analog-to-digital conversion of the sensor reading.

This step will require the use of either the LoadMaxx in-dash display or the Deflection Sensor Test box (P/N 1001). If using the LoadMaxx in-dash display, the scale must be installed and powered, and the Deflection Sensor Extension Cable must be installed.

**The process below must be completed for both the steer and drive axles.**

1. To assemble the connectors, insert the deflection sensor connector plug into the sensor extension cable connector OR connect to the deflection sensor test box. Ensure the locking tabs on the connector plug engage completely.



**Assembling the Electrical Connector**

2. Tighten both nuts and use a torque wrench to torque to 60 ft-lbs.

**NOTE: When tightening the bolts, ALWAYS torque the nut, NOT the bolt head. The bolt head should be in the bolt head holder, which is built into the bracket.**

3. Verify the A/D reading using the display in the cab (start the ignition to power on the display), or the deflection sensor test box. If the reading is within range (750-1250), continue to instructions for the **Final Sensor Torque**. If the reading is not within range, follow the instructions to adjust the A/D readings below.

## Adjusting the A/D Reading

If the A/D reading is above 1250, follow these instructions:

1. Loosen the nuts on both ends of the sensor
2. At the plastic nut where the cable enters the sensor, exert **DOWNWARD** pressure with your fingers until the A/D reading is between 750 and 1250. Continue to apply pressure to maintain the desired A/D reading during the torque procedures in step 3.
3. Tighten the nut on the cable end of the sensor and torque to 60 ft/lbs. **Continue to apply pressure with your finger to the plastic nut during torquing in order to maintain the desired A/D reading.** If the A/D readings are still within the 750 to 1250 range after the nuts on both sides of the sensor have been torque to 60 ft/lbs, continue to instructions for the **Final Sensor Torque**.

If the A/D reading is below 750, or there is no A/D reading at all, follow the steps below:

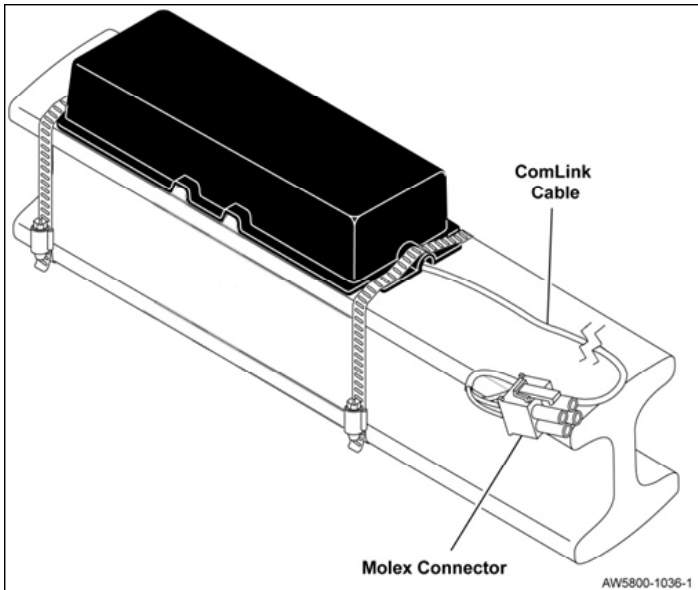
1. Loosen the nuts on both ends of the sensor
2. At the plastic nut where the cable enters the sensor, exert **UPWARD** pressure with your fingers until the A/D reading is between 750 and 1250. Continue to apply pressure to maintain the desired A/D reading during the torque procedures in step 3.
3. Tighten the nut on the cable end of the sensor and torqued to 60 ft/lbs. **Continue to apply pressure with your finger to the plastic nut during torquing in order to maintain the desired A/D reading.** If the A/D readings are still within the 750 to 1250 range after the nuts on both sides of the sensor have been torqued to 60 ft/lbs, continue to instructions for the **Final Sensor Torque.**

## **Final Sensor Torque**

1. Torque both nuts to **120 ft/lbs.**
2. Perform a final check to A/D values using the readings from the in-cab QuickLoad display, not from the A/D Box. If A/D readings are not within range, repeat the **Adjusting the A/D reading steps.**

## Steer Axle Cover Installation

1. Mount the cover over the sensor and the brackets so that the sensor cable is completely under the cover. The sensor extension cable should emerge from the cover's end port on whichever side you choose to route the cable. Ensure that the cable has free play and is not pinched by the sensor cover.
2. Very loosely install band clamps around the steer axle on both ends of the deflection sensor cover. Ensure that the band clamp on each side circles both the steer axle and the cover flange.
3. Secure the sensor cable to the axle using zip ties. Run the drive sensor extension cable along the rear of the axle toward either side of the truck, securing with a band clamp. Place split loom over the band clamp where it crosses over the cable. Secure the cable to the band clamp with zip ties. Use additional 24" zip ties as required to secure the cable to the steer axle.

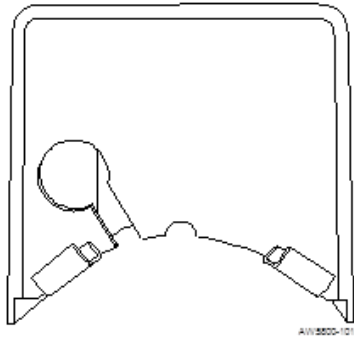


**Cover with Sensor Extension Cable**



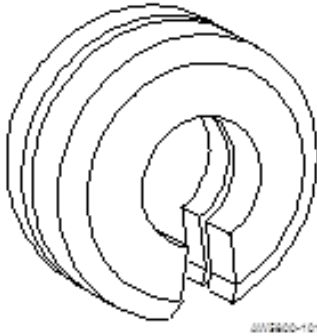
## Drive Axle Cover Installation

1. Locate the opening in the end of the cover. The opening is used for the sensor cable to go through.



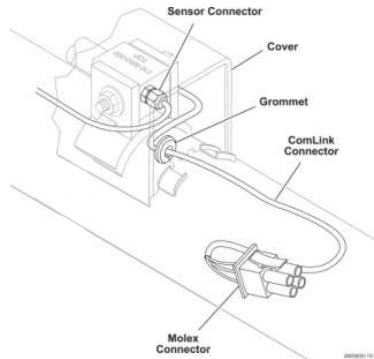
**Cable Opening in Cover**

2. Cut a notch in the supplied grommet and place it on the sensor cable.



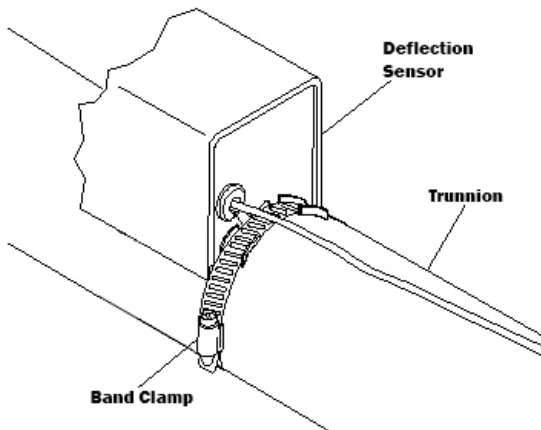
**Notching the Grommet**

- Slide the sensor cable/grommet combination into the cover hole with the Molex connector of the sensor cable on the outside of the cover and set the Deflection Sensor Cover over the sensor on the trunnion tube.



#### Placing the Cable and Grommet into Cover

- Slip each band clamp over the flange on the ends of the cover and tighten in place.



#### Clamping the Cover to the Trunnion Tube

**Your Air-Weigh scale installation is now complete.**

# IMPORTANT SENSOR INSTALLATION INSTRUCTIONS

Note: Calculated steer model numbers require the vehicle to have a 5th wheel

<b>Kit Configuration Sensor Assignment</b>			
<b>Number</b> See Kit Part Number for Model Number	<b>Sensor Installed on this Suspension</b> HCV = Height Control Valve DS = Deflection Sensor	<b>Sensor Type</b> AP = Air Pressure Sensors DS = Deflection Sensor HY = Hydraulic Sensor LC = Load Call	<b>ComLink Sensor Cable Input Jack</b>
5800	Drive	AP	Sensor A
	Steer	Calculated	N/A
5801	Drive, Dual HCV's or other dual sensors	AP, AP	Sensor A & B
	Steer	Calculated	N/A
5803	Drive, Hide Steer	AP	Sensor A
5805	Drive	AP	Sensor A
	Steer	AP	Sensor B
5806	Drive, Dual HCV's or other dual sensors	AP, AP	Sensor A & B
	Steer	AP	Sensor C
5807	Drive	AP	Sensor A
	Steer	DS	Sensor B
5808	Drive, Dual HCV's or other dual sensors	AP, AP	Sensor A & B
	Steer	DS	Sensor C
5809	Drive, Hide Steer	LC or HY	Sensor A
5810	Drive, Dual DS's, Hide Steer	DS, DS	Sensor A & B
5814	Drive, Dual HCV's or other dual sensors	DS, DS	Sensor A & B
	Steer	DS	Sensor C
5815	Drive, Dual HCV's or other dual sensors	AP, AP	Sensor A & B
	Steer, Dual HCV's or other dual sensors	AP, AP	Sensor C & D
5816	Drive, Dual HCVs, Hide Steer	AP, AP	Sensor A & B
5817	Drive	DS	Sensor A
	Steer	DS	Sensor B
5821	Drive	AP	Sensor A
	<not used>	N/A	Sensor B
	Steer, Dual HVS's or other dual sensors	AP, AP	Sensor C & D
5825	Drive, Dual HCV's or other dual sensors	AP, AP	Sensor A & B
	Steer, Dual DS's	DS, DS	Sensor C & D

<b>Number</b> See Kit Part Number for Model Number	<b>Sensor Installed on this Suspension</b> HCV = Height Control Valve	<b>Sensor Type</b> AP = Air Pressure Sensors DS = Deflection Sensor LC = Load Call	<b>ComLink Sensor Cable Input Jack</b>
5828	Drive	AP	Sensor A
	<not used>	N/A	Sensor B
	Steer, Dual DS's	DS, DS	Sensor C & D
5832 Trailer Dedicated	Drive	DS	Sensor A
	Steer	Calculated	N/A
	Trailer	AP	Sensor B
5833 Truck	Drive	DS, DS	Sensor A & B
	Steer	DS	Sensor C
	Lift	AP	Sensor D
5834 Truck	Drive	DS	Sensor A
	Steer	DS	Sensor B
	Lift	AP	Sensor C
5835 Truck	Drive	AP	Sensor A
	Steer	DS	Sensor B
	Lift	AP	Sensor C
5836 Truck	Drive, Dual HCVs	AP, AP	Sensor A & B
	Steer	DS	Sensor C
	Lift	AP	Sensor D
5839 Truck	Drive	DS	Sensor A
	Steer	DS	Sensor B
	Pusher Lift	AP	Sensor C
	Tag Lift	AP	Sensor D
Trailer Dedicated 5840	Drive, Hide Steer	AP	Sensor A
	Trailer, Trailer - B - Train	AP, AP	Sensor B & C
Trailer Dedicated 5841	Drive	AP	Sensor A
	Steer	Calculated	N/A
	Trailer, Trailer - B - Train	AP, AP	Sensor B & C
Trailer Dedicated 5843	Drive	AP	Sensor A
	Steer	DS	Sensor B
	Trailer, Trailer - B - Train	AP, AP	Sensor C & D

<b>Number</b> See Kit Part Number for Model Number	<b>Sensor Installed on this Suspension</b> HCV = Height Control Valve	<b>Sensor Type</b> AP = Air Pressure Sensors DS = Deflection Sensor LC = Load Call	<b>ComLink Sensor Cable Input Jack</b>
Trailer Dedicated 5844	Drive, Dual HCVs	AP, AP	Sensor A & B
	Trailer, Trailer - B - Train	AP, AP	Sensor C & D
Trailer Dedicated 5845	Drive, Dual HCVs	AP, AP	Sensor A & B
	Steer	Calculated	N/A
	Trailer, Trailer - B - Train	AP, AP	Sensor C & D
Trailer Dedicated 5849	Drive	DS	Sensor A
	Steer	Calculated	N/A
Trailer Dedicated 5851	Drive	AP	Sensor A
	Steer	Calculated	N/A
	Trailer	AP	Sensor B
Trailer Dedicated 5852	Drive	AP	Sensor A
	Steer	AP	Sensor B
	Trailer	AP	Sensor C
Trailer Dedicated 5853	Drive	AP	Sensor A
	Steer	DS	Sensor B
	Trailer	AP	Sensor C
Trailer Dedicated 5855	Drive, Dual HCVs	AP, AP	Sensor A & B
	Steer	Calculated	N/A
	Trailer	AP	Sensor C
Trailer Dedicated 5857	Drive, Dual HCVs	AP, AP	Sensor A & B
	Steer	DS	Sensor C
	Trailer	AP	Sensor D
Trailer Dedicated 5860	Drive, Dual HCVs	AP, AP	Sensor A & B
	Steer	Calculated	N/A
	Trailer, Dual HCVs	AP, AP	Sensor C & D
Trailer Dedicated 5864	Drive	AP	Sensor A
	Steer	DS	Sensor B
	Pusher Lift	AP	Sensor C
	Tag Lift	AP	Sensor D

# Limited Warranty

Air-Weigh warrants (the “Limited Warranty”) that the Products will be free from defects in material and workmanship under normal use and service with proper maintenance for the following time periods:

- (a) for new Scale kits, the Limited Warranty period will be 3 years;
- (b) for new parts and accessories sold separately, the Limited Warranty period will be 1 year; and
- (c) for repaired or refurbished items, including repaired or refurbished Scale kits and repaired or refurbished parts and accessories sold separately, the Limited Warranty period will be 90 days.

If any Product is determined to not conform to this Limited Warranty during its applicable Limited Warranty period, Air-Weigh will, at its exclusive option, either repair or replace the Product.

Limitations of Limited Warranty. Air-Weigh will have no obligation under the Limited Warranty with respect to any product if (a) Buyer fails to notify Air-Weigh in writing during the warranty period of a non-conformity, or (b) Buyer or any other person, entity, or governmental authority uses, misuses, or neglects the product in a manner inconsistent with the product's specifications or directions for use or maintenance, modifies the product or improperly installs, handles, or maintains the product.

**No Repair or Modification of the products.** Except as explicitly authorized or in a separate written agreement with Air-Weigh, Buyer will not service, repair, modify, alter, replace, reverse engineer, or otherwise change any of the products.

**Disclaimer of All Other Warranties.** EXCEPT FOR THE LIMITED WARRANTIES SET OUT ABOVE, NEITHER AIR-WEIGH NOR ANY PERSON OR ENTITY ON AIR-WEIGH'S BEHALF HAS MADE OR MAKES FOR BUYER'S BENEFIT ANY EXPRESS OR IMPLIED REPRESENTATION OR WARRANTY WHATSOEVER, INCLUDING ANY WARRANTIES OF: (i) MERCHANTABILITY; (ii) FITNESS FOR A PARTICULAR PURPOSE; (iii) TITLE; OR (iv) NON-INFRINGEMENT; WHETHER ARISING BY LAW, COURSE OF DEALING, COURSE OF PERFORMANCE, USAGE OF TRADE OR OTHERWISE, ALL OF WHICH ARE EXPRESSLY DISCLAIMED. BUYER ACKNOWLEDGES THAT IT HAS NOT RELIED ON ANY OTHER REPRESENTATION OR WARRANTY MADE BY AIR-WEIGH, OR ANY OTHER PERSON OR ENTITY ON AIR-WEIGH'S BEHALF.

## Limitation of Liability.

IN NO EVENT WILL AIR-WEIGH BE LIABLE FOR CONSEQUENTIAL, INDIRECT, INCIDENTAL, SPECIAL, EXEMPLARY, PUNITIVE, OR ENHANCED DAMAGES, LOST PROFITS OR REVENUES, OR DIMINUTION IN VALUE, ARISING OUT OF OR RELATING TO ANY BREACH OF THESE TERMS, REGARDLESS OF WHETHER OR NOT THE DAMAGES WERE FORESEEABLE, WHETHER OR NOT AIR-WEIGH WAS ADVISED OF THE POSSIBILITY OF THE DAMAGES, OR THE LEGAL OR EQUITABLE THEORY (CONTRACT, TORT, OR OTHERWISE) ON WHICH THE CLAIM IS BASED.

IN NO CASE WILL AIR-WEIGH'S AGGREGATE LIABILITY ARISING OUT OF OR RELATED TO THESE TERMS, WHETHER ARISING OUT OF OR RELATED TO BREACH OF CONTRACT, TORT (INCLUDING NEGLIGENCE), OR OTHERWISE, EXCEED THE TOTAL OF THE AMOUNTS PAID TO AIR-WEIGH FOR THE PRODUCTS.

THE FOREGOING LIMITATIONS APPLY EVEN IF BUYER'S REMEDIES UNDER THESE TERMS FAIL OF THEIR ESSENTIAL PURPOSE.

# Procedure For Warranty Claims

ALL customers should first contact Air-Weigh Customer Support Department at (888) 459-3247 for questions regarding the use, operation, repair or return of any Air-Weigh product.

In the event Air-Weigh requests to examine the product prior to disposition OR for repair or replacement, Air-Weigh requires a Return Material Authorization (RMA) number be issued before the item is returned. Customer Support will issue the RMA number. Please reference this RMA number in all correspondence.

Claimed items shall be shipped freight pre-paid to:

Air-Weigh  
Customer Support Department  
1730 Willow Creek Circle, Suite 100  
Eugene, Oregon 97402, USA

The Air-Weigh RMA number **must** appear on the outside of the return packaging. Air-Weigh shall examine returned material within 30 days after receipt, or sooner if mutually agreed upon. If Air-Weigh determines that the part or assembly was defective in material or workmanship and within the warranty period, Air-Weigh will repair or replace the part or assembly and return freight pre-paid. In the event Air-Weigh determines that the part or assembly cannot be repaired or replaced and is within the warranty period, a credit not to exceed the purchase price will be issued to the Air-Weigh customer.

For our customers using purchase orders Air-Weigh will process a credit memo and notify the customer by email or fax. The customer will process a corresponding debit memo and notify Air-Weigh accordingly.

If the part or assembly received by Air-Weigh does not meet the requirements of the warranty program set forth above, at the Air-Weigh customer's request the part or assembly will either be discarded, returned freight collect, or repaired or replaced at the Air-Weigh customer's expense and returned freight collect.

## **Air Weigh**

1730 Willow Creek Circle • Eugene, OR 97402-9152 USA  
P.O. Box 24308 • Eugene, OR 97402-0437 USA

Telephone (541) 343-7884 • Order Desk (888) 459-3444  
Customer Support (888) 459-3247 • Fax (541) 431-3121

[www.Air-Weigh.com](http://www.Air-Weigh.com)